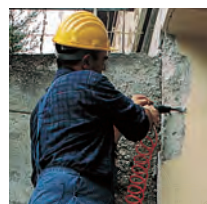


shamal

PETROL ENGINES AIR COMPRESSORS

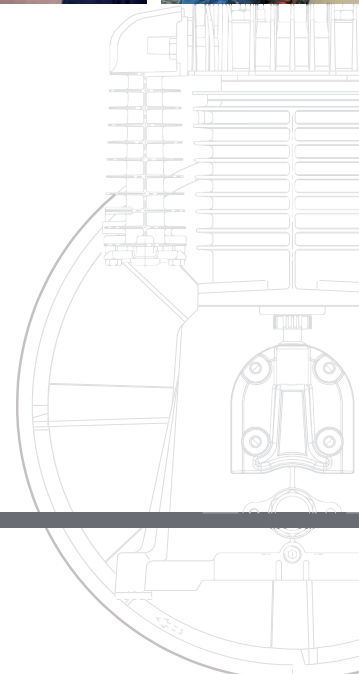
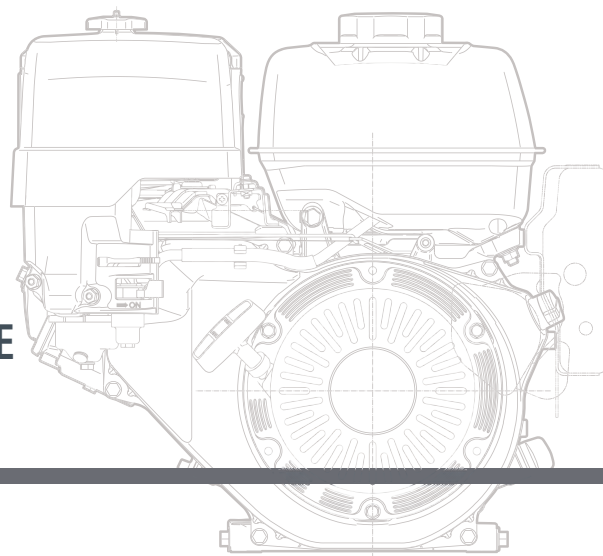
MADE IN ITALY



HONDA
ENGINES

HONDA GASOLINE ENGINE

200-500 Lt



shamal

PETROL ENGINES AIR COMPRESSORS



NB7/12S/200F HONDA

N7LN8P1SHQ018



- 1 Oversized pressure regulator with dual compressed air output.
- 2 Two stage pump with cast iron cylinder, equipped with large inter and aftercoolers for better cooling of the compressed air.
- 3 Large vibration damping feet for greater stability during operation.
- 4 Honda petrol engine which complies with the strictest emissions standards.
- 5 Supplementary roll bar for lifting with hoists of freight lift.



NB7/12S/500F HONDA

N7TN9P1SHQ019

Performance

Name	Code	Pump	Tank Lt	Power Hp/kW	Cylinder n.	Max press. bar/PSI	Lubricated	RPM	Displacement l/min./CFM	Engine	Weight kg/lbs	Box dimensions LxPxX / WxDxH
NB7/9S/200F HONDA	N7LN8P1SHQ018	NB7	200	9/6,7	2	10/145	YES	1100	740/26,1	PETROL	148/326	1600x520x1250
NB7/11S/270F HONDA	N7NN9P1SHQ017	NB7	270	11,7/8,7	2	10/145	YES	1400	945/33,3	PETROL	170/374	1640x560x1340
NB7/12S/500F HONDA	N7TN9P1SHQ019	NB7	500	11,7/8,7	2	10/145	YES	1400	945/33,3	PETROL	225/496	2080x700x1450